



# HOVERAPPS®

## HoverSling Overhead Lift and Transfer Device

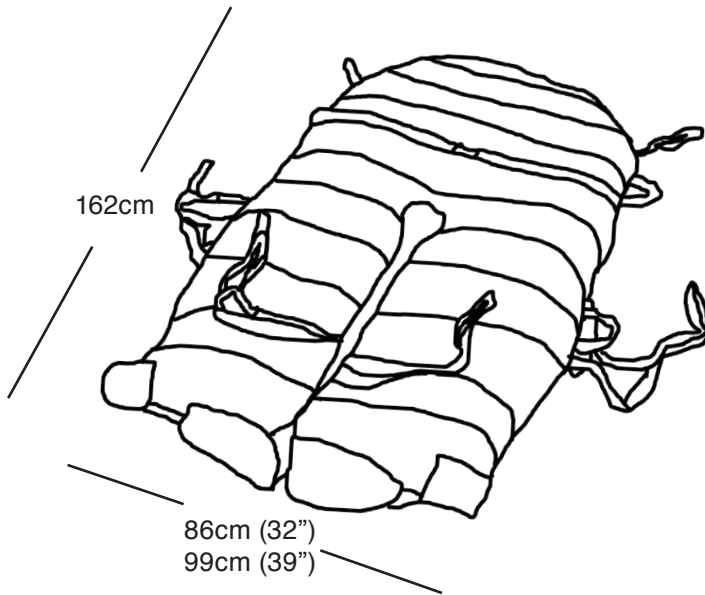
Committed to continuous innovation in the field of safe patient handling and positioning, HoverTech International has developed a next generation solution: the HoverSling® Transfer & Lift Device. The HoverSling, an air-assisted transfer mattress and lift sling in one, has been designed to streamline patient handling tasks by reducing the amount of time and money spent on multiple Lift Lateral Transfer Bed to Chair Transfer products. With the HoverSling, caregivers can now use one, disposable product for nearly all patient handling tasks, including: lateral transfers, repositioning, turning, and vertical lifting.



### HoverTech® HoverSling™ Device Benefits:

- Combined air transfer mattress and sling device streamlines approach to lateral and chair transfers
- Air transfer technology reduces potential for skin shear and bruising, while improving patient safety and comfort
- Eliminates costs and logistics associated with reprocessing, significantly reduces the possibility of cross-contamination
- Unique sling design secures and cradles limbs for even support, avoiding the roping effect
- Product is able to stay with the patient through multiple transfers during the patient's stay in the hospital
- Disposable product eliminates the need for reprocessing and reduces potential for cross contamination
- 317kg (34" model) or 453kg (39" model) weight capacity accommodates a large range of patients, including bariatric
- Radiolucency and MRI compatibility allow product to stay in place during diagnostic imaging
- Variable speed air supply facilitates a variety of inflation speeds for patient comfort

HoverApps® HoverSling



*If a Single-Patient Use HoverSling is laundered, it will no longer inflate when connected to the air supply. The "DO NOT WASH" label at the foot-end of the product will dissolve and state, "DISCARD IMMEDIATELY".*

For more information, contact your local HoverTech distributor, or Statina Healthcare International on 1300 791 404.

## Product Specifications

### Material Specs

Sewn construction  
Top: Non-woven polypropylene fiber  
Bottom: Nylon fabric  
Latex free  
Water Soluble Perimeter thread (120°)  
Thread in sewn handles is NOT water soluble

### Dimensions

HoverSling 32": 86cm (34"W) x (162 cm) 64"L  
HoverSling 39": 99cm (39"W) x (162 cm) 64"L

### Model Number

MHHT-HSSPU-34  
MHHT-HSSPU-39

### Packaging

HoverSling 32" - 10 per box  
HoverSling 39" - 5 per box

### Compatible with HoverTech Air Supplies

MHHT-AIR2300 (Variable Speed - 230 V)

### ARTG Approved

#216652

### Distributed By: